

- Ball Valve •Gate Valve •Globe Valve •Check Valve •Forged Valve •Butterfly Valve



# SHANGHAI YUANGAO VALVES INDUSTRY (GROUP) CO., LTD

## API 6D GATE VALVE DATA SHEET

**FHV**®

**LEAD**®



SGS

PED



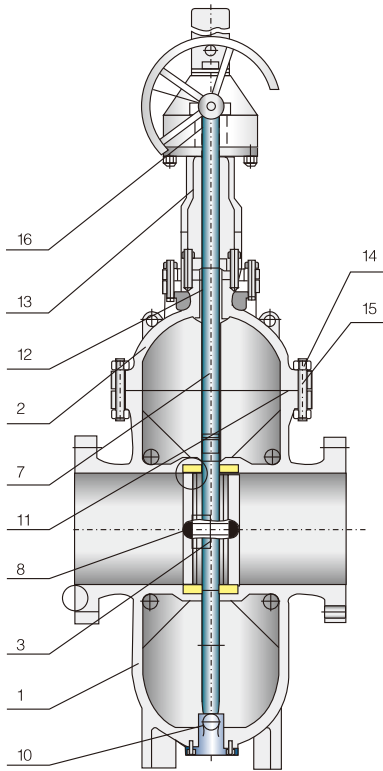
API 600 API 6D API 624 API 607 CE 1155 2014/68/EU ISO 9001

**SHANGHAI YUANGAO VALVES INDUSTRY CO., LTD.**

Tel: +86 21 60892656  
Fax: +86 21 60892650  
Web: www.fhv-valves.com

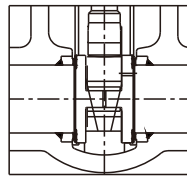
**Applicable Standards:**

DESIGN & MANUFACTURE CONFORM WITH: API 6D/ISO 14313、ASME B16.34  
CONNECTION DIMENSION CONFORMS WITH: ASME B16.5 DIN EN 1092  
FIRE RESISTANCE DESIGN CONFORMS WITH: API 607/ISO 10497  
INSPECTION & TEST CONFORMS WITH: API 6D、ISO 5208、API 598  
MATERIAL CONFORMS WITH: ISO 15156

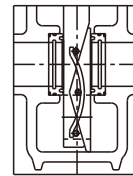


Single disk with pilot port structure

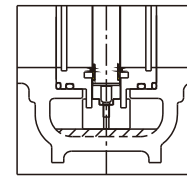
No	Part Name	No	Part Name
1	Body	9	Spring
2	Bonnet	10	Blowdown valve
3	Disc	11	Gasket
4	Seat	12	Packing
5	Sealing ring	13	Yoke
6	O-ring	14	Nut
7	Stem	15	Bolt
8	Seat grease injection valve	16	Stem nut



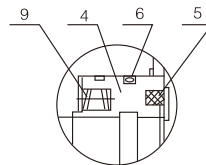
Double disk non-diversion hole structure



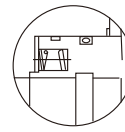
Double disk with diversion hole structure



Single disk non-diversion hole structure



Soft sealing structure



Hard sealing structure

**Product Features**

- 1、 Valve seat adopts the structure of O-ring seals and pretightening float valve seat, the soft sealing inlays fluoroplastic, it provides the function of double sealing: fluoroplastic to metal and metal to metal. And at the same time, the fluoroplastic can remove the dirt of the gate disk.
- 2、 Of the metal to metal sealing, there is a grease injection structure outside the valve, grease injects the sealing part through the seat, in this way achieves the aim of zero leakage.
- 3、 Through conduit gate valve always coincide with the sealing surface, whether the disc is full open-or full-closed; sealing surface to be protected from scouring by media directly, thereby extending the service life. In full-time, smooth channel for the direct and flow resistance coefficient is extremely small, no pressure loss, leading to Fig.

**Materials of parts**

Body	WCB/LCB/CF8M/CF8/CF3M/CF3/WC6/WC9/CD3MN
Bonnet	WCB/LCB/CF8M/CF8/CF3M/CF3/WC6/WC9/CD3MN
Disc	A105+ENP/LF2+ENP/F304/F316/F304L/F316L/F51
Seat	A105+ENP/LF2+ENP/F304/F316/F304L/F316L/F51
Stem	F6a/F304/F316/F304L/F316L/F51
Seal ring	PTFE/NYLON/PEEK/TEFLON
Sealing surface material	1~12 Trim material
O-ring	VITON/NBR
Bolt	B7M/B8M/L7M/B16M
Nut	2HM/8M/7M/4M
Spring	17-4PH/Inconel
Stem nut	C95200/D2/A536
Gasket	Flexible graphite+304/Flexible graphite+316
Packing	Flexible graphite/PTFE

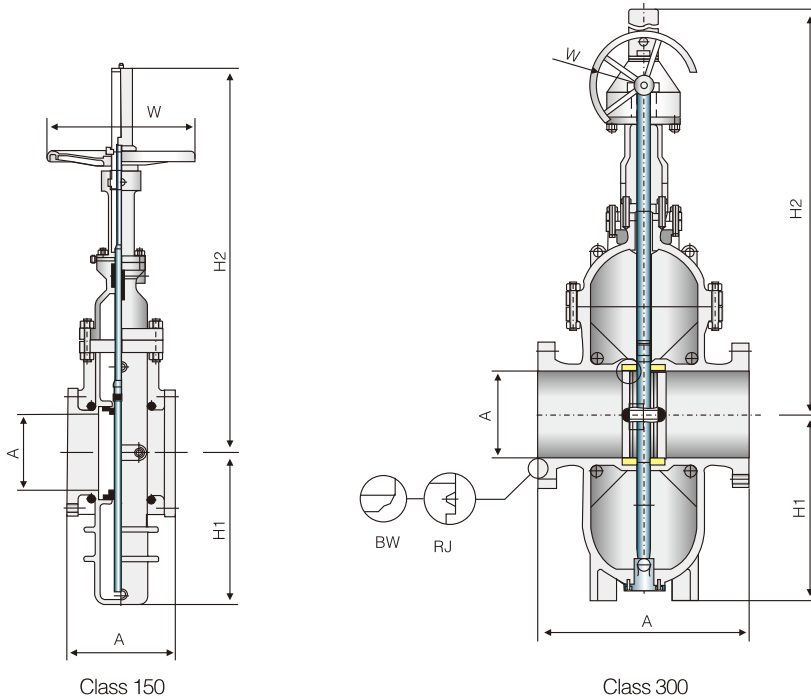
Materials could be choosed according to customers' requirement & working condition.

**SHANGHAI YUANGAO VALVES INDUSTRY CO., LTD.**

Tel: +86 21 60892656  
Fax: +86 21 60892650  
Web: www.fhv-valves.com

**Applicable Standards:**

DESIGN & MANUFACTURE CONFORM WITH: API 6D/ISO 14313, ASME B16.34  
CONNECTION DIMENSION CONFORMS WITH: ASME B16.5 DIN EN 1092  
FIRE RESISTANCE DESIGN CONFORMS WITH: API 607/ISO 10497  
INSPECTION & TEST CONFORMS WITH: API 6D, ISO 5208, API 598  
MATERIAL CONFORMS WITH: ISO 15156



**Dimensional datas**

NPS inch	DN	A mm	B mm	H1 mm	H2 mm	W mm	WT kg	T N.m	NPS inch	DN	A mm	B mm	H1 mm	H2 mm	W mm	WT kg	T N.m
<b>ANSI Class 150Lb</b>																	
2	50	178	51	125	452	200	25	23	16	400	406	385	685	1854	560	630	572
3	80	203	76	175	605	250	43	50	18	450	432	436	790	2088	650	836	728
4	100	229	100	202	680	280	65	60	★20	500	457	487	880	2420	460	1190	910
6	150	267	150	282	890	300	95	78	★24	600	508	589	1050	2688	460	1580	1313
8	200	292	201	355	1128	350	146	143	★28	700	610	684	1192	3078	460	2400	2028
10	250	330	252	445	1296	400	245	211	★30	750	610	735	1268	3252	600	3200	2305
12	300	356	303	518	1483	450	343	289	★32	800	711	779	1355	3495	600	3700	2795
14	350	381	334	606	1668	500	480	403	★36	900	711	874	1515	3898	600	4600	3783

**Dimensional datas**

NPS inch	DN	A mm	B mm	H1 mm	H2 mm	W mm	WT kg	T N.m	NPS inch	DN	A mm	B mm	H1 mm	H2 mm	W mm	WT kg	T N.m
<b>ANSI Class 300Lb</b>																	
2	50	292	51	135	456	200	30	25	16	400	902	385	730	1884	650	1280	735
3	80	356	76	182	618	250	48	71	★18	450	978	436	802	2163	460	1665	988
4	100	406	100	216	713	280	78	95	★20	500	1054	487	935	2420	460	2168	1235
6	150	495	150	315	903	350	152	117	★24	600	1232	589	1103	2810	460	2980	1963
8	200	597	201	382	1133	400	240	185	★28	700	1397	684	1262	3203	460	4060	2990
10	250	673	252	480	1403	450	420	292	★30	750	1524	735	1342	3412	600	4980	3566
12	300	762	303	545	1582	500	525	366	★32	800	1651	779	1422	3646	600	5800	4121
14	350	826	334	645	1688	560	810	576	★36	900	1880	874	1513	4055	600	7790	5785

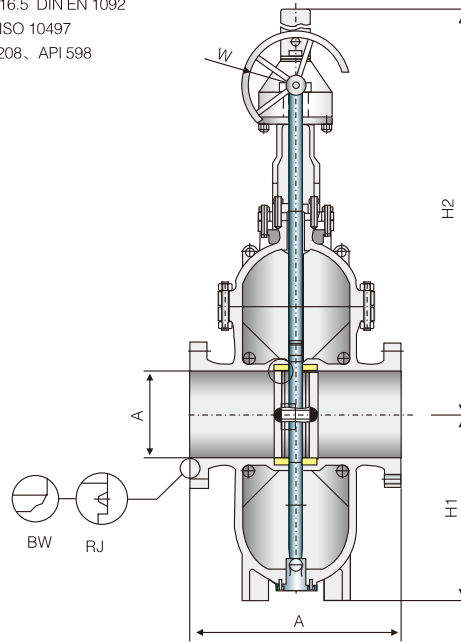
Note: ★ Worm-gear actuator

**SHANGHAI YUANGAO VALVES INDUSTRY CO., LTD.**

Tel: +86 21 60892656  
Fax: +86 21 60892650  
Web: www.fhv-valves.com

**Applicable Standards:**

DESIGN & MANUFACTURE CONFORM WITH: API 6D/ISO 14313、ASME B16.34  
CONNECTION DIMENSION CONFORMS WITH: ASME B16.5 DIN EN 1092  
FIRE RESISTANCE DESIGN CONFORMS WITH: API 607/ISO 10497  
INSPECTION & TEST CONFORMS WITH: API 6D、ISO 5208、API 598  
MATERIAL CONFORMS WITH: ISO 15156



**Dimensional datas**

NPS inch	DN	A mm	B mm	H1 mm	H2 mm	W mm	WT kg	T N.m	NPS inch	DN	A mm	B mm	H1 mm	H2 mm	W mm	WT kg	T N.m
<b>ANSI Class 600Lb</b>																	
2	50	292	51	160	466	250	60	32	★ 14	350	889	334	654	1745	460	1680	1453
3	80	356	76	228	622	280	106	117	★ 16	400	991	385	740	1978	460	2230	2103
4	100	432	100	258	724	350	160	169	★ 18	450	1092	436	812	2268	600	2700	2808
6	150	559	150	332	913	450	395	234	★ 20	500	1194	487	1040	2509	600	3100	3653
8	200	660	201	411	1148	560	605	319	★ 24	600	1397	589	1160	2820	600	5100	4953
10	250	787	252	493	1412	600	960	737	★ 28	700	1549	684	1288	3233	1000	7050	6253
12	300	838	303	577	1596	650	1520	1274	★ 30	750	1651	735	1330	3442	1000	8200	7163

**Dimensional datas**

NPS inch	DN	A mm	B mm	H1 mm	H2 mm	W mm	WT kg	T N.m	NPS inch	DN	A mm	B mm	H1 mm	H2 mm	W mm	WT kg	T N.m
<b>ANSI Class 900Lb</b>																	
2	50	368	49	162	476	300	133	71	12	300	965	303	577	1600	460	1850	1296
3	80	381	74	230	638	350	198	150	14	350	1029	322	660	1755	460	2580	1482
4	100	457	100	262	730	400	260	181	16	400	1130	373	750	2028	600	3500	2139
6	150	610	150	336	920	560	565	413	18	450	1219	423	822	2288	600	4400	2919
8	200	737	201	415	1152	600	965	767	20	500	1321	471	1058	2525	600	5560	4486
★ 10	250	838	252	496	1418	460	1280	1021	24	600	1549	589	1176	2850	1000	7480	5195

**Dimensional datas**

NPS inch	DN	A mm	B mm	H1 mm	H2 mm	W mm	WT kg	T N.m	NPS inch	DN	A mm	B mm	H1 mm	H2 mm	W mm	WT kg	T N.m
<b>ANSI Class 1500Lb</b>																	
2	50	368	49	162	476	300	133	107	★ 6	150	705	144	338	930	460	830	618
3	80	470	74	230	638	400	235	225	★ 8	200	832	192	420	1160	460	1380	1151
4	100	546	100	270	745	500	398	272	★ 10	250	991	239	500	1428	460	2230	1532

Note: ★ Turbine drives